

WaterSystems

MJSE-50 Series



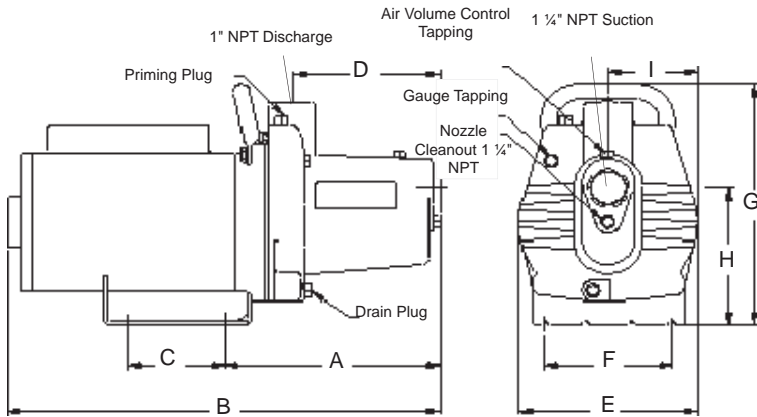
Applications

The Monarch MJSE jet sprinkler pump is a versatile pump for pressure boosting, small underground lawn sprinklers and a multitude of other general purpose clean water applications.

Features

- **SEAL PLATE AND CASING** - Built from rugged cast iron and specially treated with an anti-rust primer coating, to ensure years of dependable service.
- **MOTOR** - CSA approved, **higher than NEMA service factor** dual compartment motors, open drip proof, capacitor start and thermal overload protected for safety; single phase, convenient electrical connection; 3600 RPM, square flange design, with threaded motor shaft for positive impeller alignment
- **POWER CORD** - Includes an 8 foot grounded power cord for easy connection to any standard 115 volt outlet.
- **GARDEN HOSE ADAPTER** - Provides easy connection to any standard garden hose.
- **IMPELLER** - Precision molded glass filled thermoplastic is extra smooth, for highest pump efficiency.
- **VENTURI AND BUILT-IN NOZZLE** - Made of abrasion resistant thermoplastic, engineered for optimum pressure and flow.

Dimensional Outline



Model	A	B	C	D	E	F	G	H	I
MJSE-50	9.38	17.3	3.0	6.0	7.0	4.85	10.5	4.62	3.5

*Dimensions measured in inches

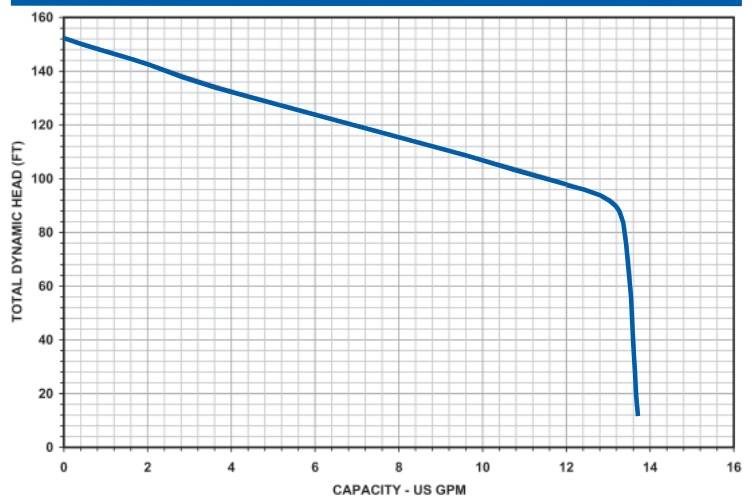
Specifications

Model No.	Item No.	Listing	HP	Volts	Discharge	Suction	SF	Cord Length (ft.)	Ship Wt. (lbs.)
MJSE-50	614431	CSA	1/2	115	1" NPT	1 1/4" NPT	1.90	8	36

Performance Chart

Total Suction Lift (ft.)	Capacities in U.S. GPM										Shut-Off Head (ft.)
	Discharge Pressure in PSI										
	20	25	30	35	40	45	50	55	60	65	
5	12.8	12.5	12.3	12.1	11.2	9.5	6.9	4.3	2.0	-	64.2
10	11.5	11.3	11	10.8	10.4	8.5	6.0	3.4	1.0	-	62.0
15	9.8	9.7	9.6	9.5	9.4	7.3	4.7	2.2	-	-	59.9
20	8.3	8.1	7.8	7.7	7.6	5.7	3.5	1.0	-	-	57.7
25	5.6	5.5	5.5	5.4	5.3	4.7	2.3	0.2	-	-	55.5

Performance Data



P.O. Box 12010
 Oklahoma City, OK 73157-2010
 Phone: 1.800.701.7894
 Fax: 1.800.678.7867
 www.LittleGiantPump.com